

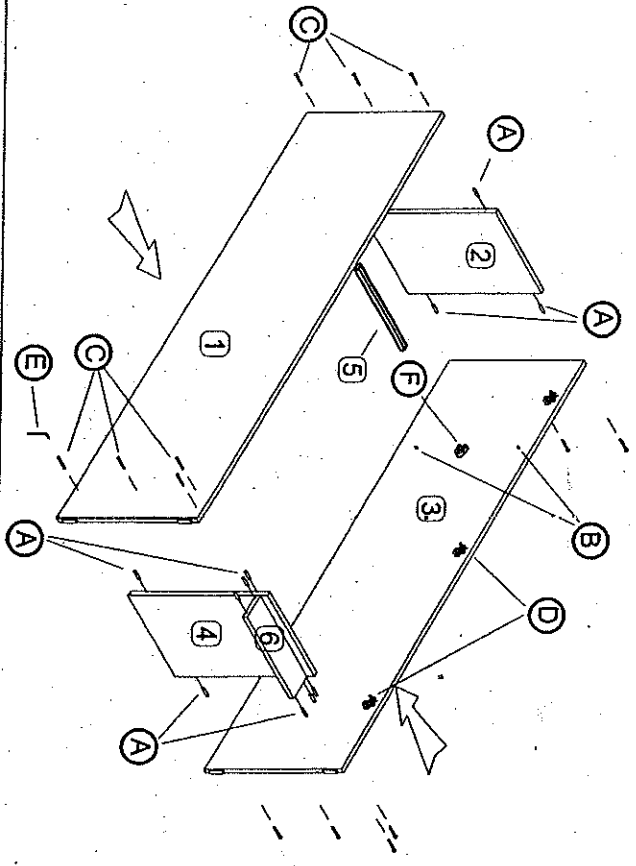
2 PERSONS

MONTERINGS ANVISNING ASSEMBLY INSTRUCTION

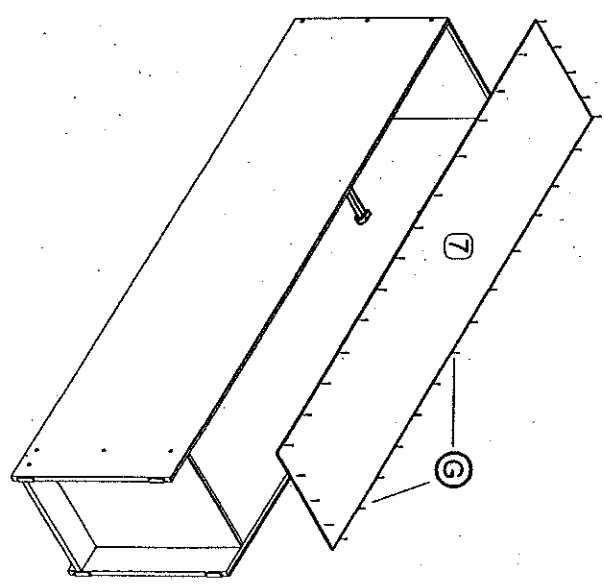
1/1

1

A		D	
B		E	
C		F	
X4		X1	
X14		X2	

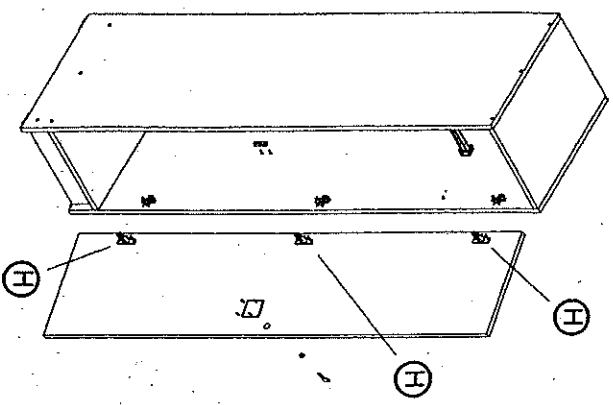


2



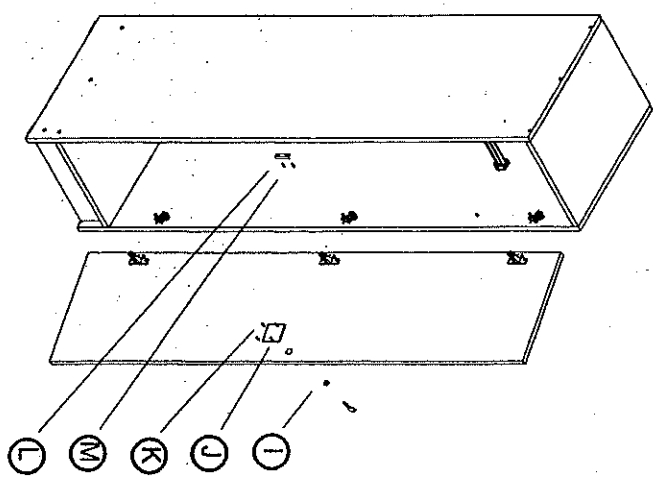
G	
X50	

3



4

J		L	
X1		X1	
K		M	
X4		X2	



5

