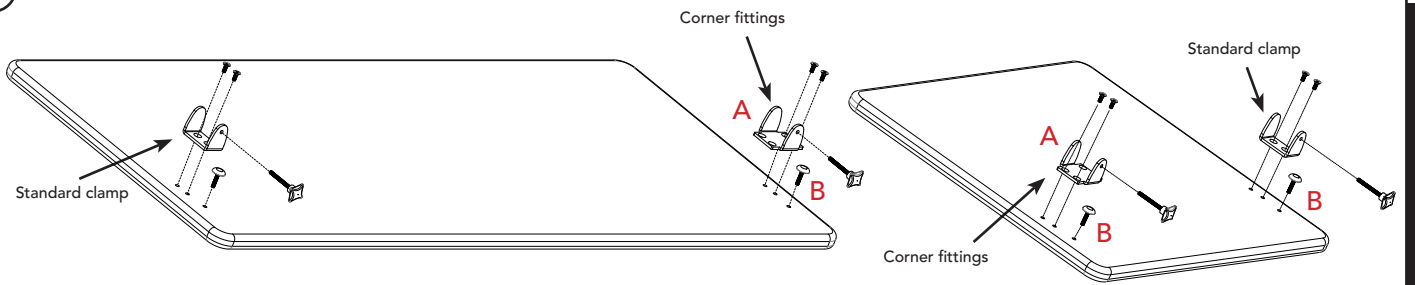
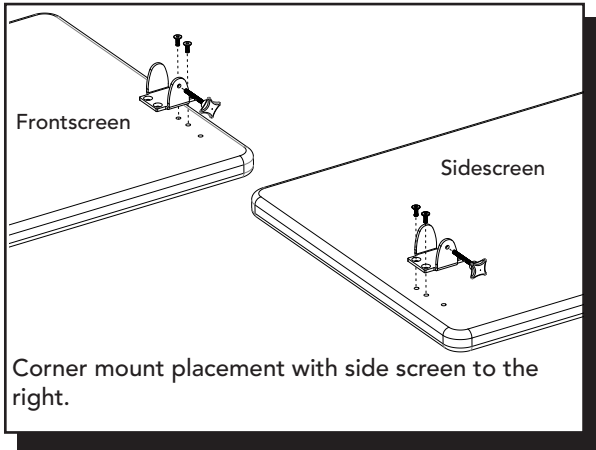


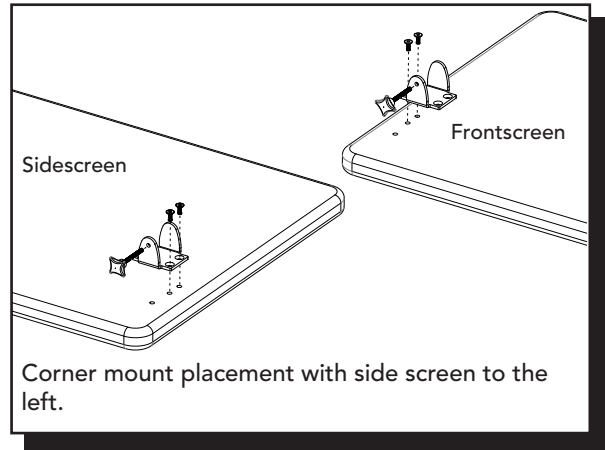
1



Screw the brackets to the table screens. The location of the corner fittings will depend on which side the side screen should be (see below). Screw in the locking screw. You can install an adjustable Halfpipe directly on the screen. If not, screw in screw **B** in the mounting hole for Halfpipe.

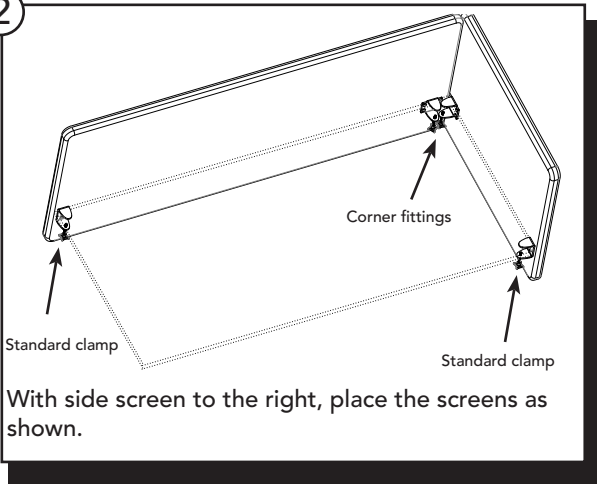


Corner mount placement with side screen to the right.



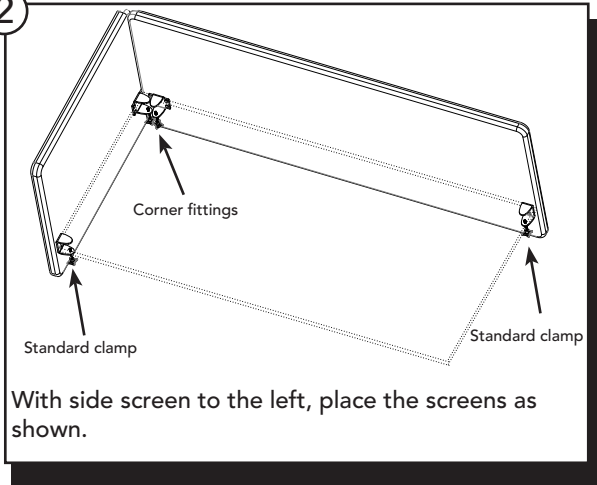
Corner mount placement with side screen to the left.

2



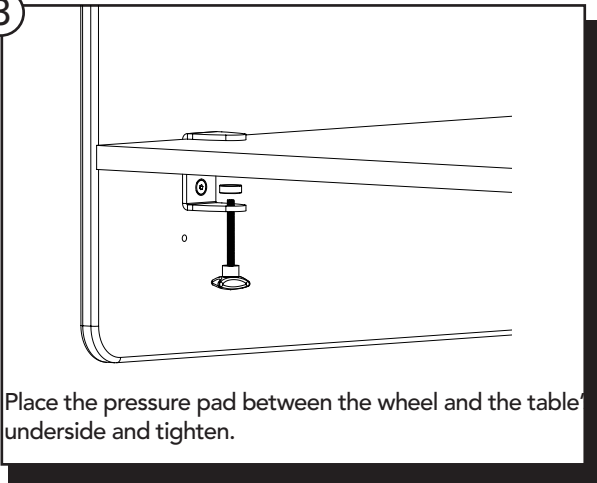
With side screen to the right, place the screens as shown.

2



With side screen to the left, place the screens as shown.

3



Place the pressure pad between the wheel and the table underside and tighten.

Content

