

PC charging cabinet

User's guide



PCS

PCV



CONTENT

- 1. Before switching-on the equipment**
- 2. Work safety and general recommendations**
- 3. Description of the cabinet**
- 4. Declaration of conformity**
- 5. PCV assembly guide**

BEFORE SWITCHING-ON THE EQUIPMENT

Read the User's guide carefully to utilise the equipment as efficiently as possible. There you can find the equipment description and useful recommendations.

Save the guide for future.

1. Unpacking and testing

- Check for any eventual damages after unpacking the cabinet. In case of any doubt do not use it.
- Store the packaging material out of the reach of children as it might be dangerous for them.

2. Installing the cabinet

- At least two or more persons are needed to move and install the cabinet.
- While moving the cabinet be careful to prevent damaging floor.
- During the installation make sure that manipulated cabinet does not damage electric cord.
- Check whether the appliance is not located close to heat sources.
- Keep the ventilation openings free.
- Place the cabinet on firm horizontal floor.
- Install the cabinet in dry and well ventilated room.
- While installing PSV cabinets follow the User's guide.

3. Electric connections

- Electrical connection can be realised only by qualified service engineer in compliance with applicable safety regulations.
- While realising electrical installations, it is important to follow actual national and regional regulations, as well as the provisions of the electricity supplier. **The locker can be connected only to the electricity network with an RCD and a breaker. If the network does not contain these protective devices, it is necessary to use a portable RCCB!**

- Manufacturer overrules any responsibility for injuries of persons or domestic animals caused due to violation of above mentioned regulations.
- Do not use extension cords or adapter plugs.

WORK SAFETY AND GENERAL RECOMENDATIONS

1. Wrap

- Wrap material is recyclable. Follow the actual regulations while disposing the wrap.

2. Old equipment disposal

- The cabinet is made from recyclable material. While disposing the cabinet follow the applicable regulations for waste disposal.
- Before disposing the cabinet:
 1. unplug the electric cord
 2. cut off the electric cord so that the cabinet cannot be utilised illegally.

3. Safety instructions and advices

- Use the cabinets only for charging of computers.
- The cabinet should be used only in interiors in dry and dust free environment.
- Close to the cabinet, do not store or use petrol, gas or other flammable materials. Released vapours may cause fire or explode.
- It is forbidden to keep food, drinks, liquids and other fluids inside storages.
- This cabinet should not be used by the persons with limited physical, sensual or psychical capabilities without supervision.
- Do not keep the cabinet switched on for uselessly long period of time.
- Switch off or unplug the cabinet from electricity before maintenance or cleaning.

- Use neutral cleaning means and wet cloth to clean the surface of the cabinet.
- Do not open the door using inappropriate force.
- In case of danger disconnect the electric cord first.
- It is forbidden to use the plug box to connect other electrical appliances.
- Never cover the equipment being charged with other things.
- Authorised inspection of the electric equipment must be performed once a year.
- Disconnect the cabinet from electricity before any maintenance or relocation.

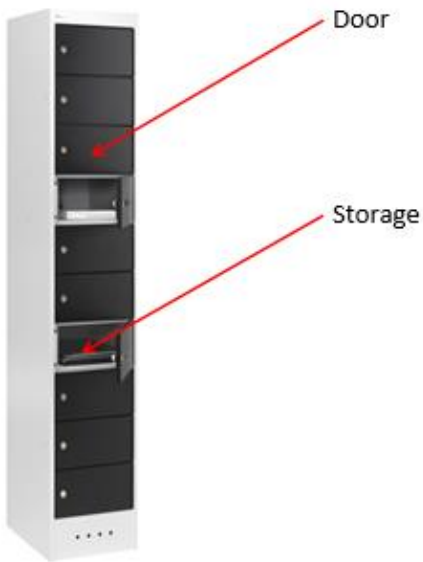
Warning!

- Do not cut off the electric cord if it is still plugged in.
- If the electric cord is pulled out due to improper manipulation do not touch the live wire and unplug the damaged cable from the socket immediately.
-

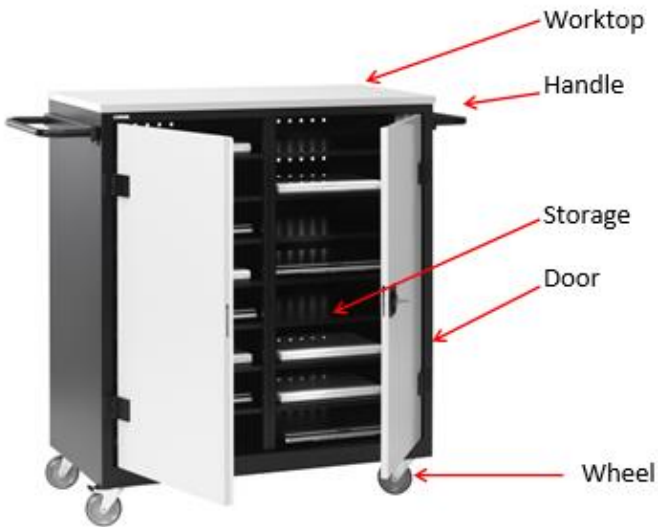
Not following these rules may lead to risk of life.

Manufacturer overrules any responsibility for failures and damages in case the above mentioned advices and safety instructions are not followed.

CABINET DESCRIPTION



Cable



Socket

 METAL DESIGN	EU DECLARATION OF CONFORMITY N. 1/2017	Page :	1
		Total pages:	1
		Date:	31.01.2017



1. **Product model/product (product, type, batch or serial number):**
Cabinet for laptop charging C290;C295;C296;C297;C298;C299
2. **Name and address of the manufacturer or his authorised representative:**
AJ Metal Design a.s., Dlhé Lúky 2, 919 35 Hrnčiarovce nad Parnou
3. **This declaration of conformity is issued under the sole responsibility of the manufacturer.**
4. **Object of the declaration:**
Cabinet for laptop charging C290;C295;C296;C297;C298;C299
5. **The object of the declaration described above is in conformity with the relevant Union harmonisation legislation:**
Low Voltage Directive (LVD) 2014/35/EU - Modul A
Restriction of Hazardous Substances (RoHS) Directive 2011/65/EU
6. **References to the relevant harmonised standards used or references to the other technical specifications in relation to which conformity is declared:**
RoHS: EN 50581:2012
LVD: EN 61439-1:2011
EN 61439-2:2011
7. **Additional information:**

Signed for and on behalf of: AJ Metal Design a.s.

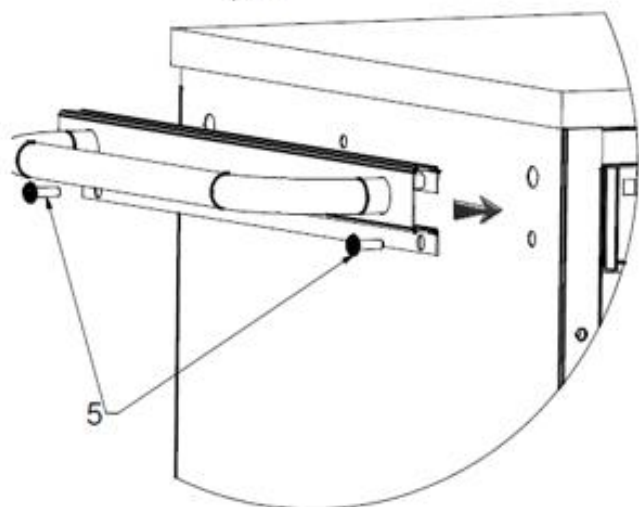
Hrnčiarovce nad Parnou, Slovakia, 31.01.2017




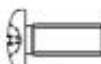

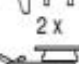




Tobias Brauer
General Manager

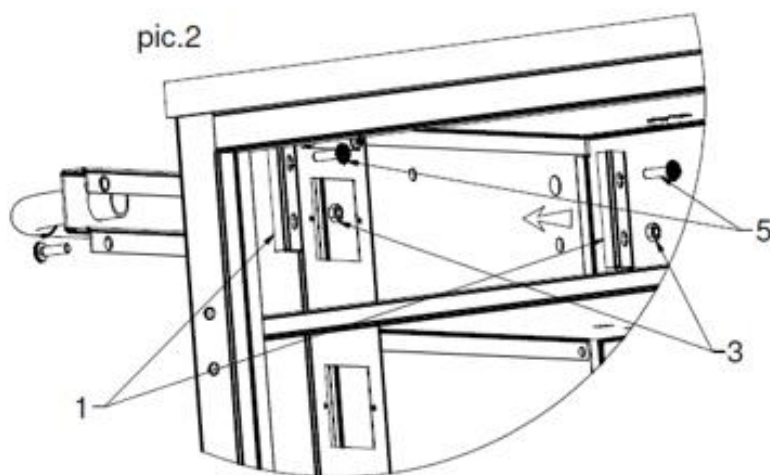
PCV ASSEMBLY GUIDE

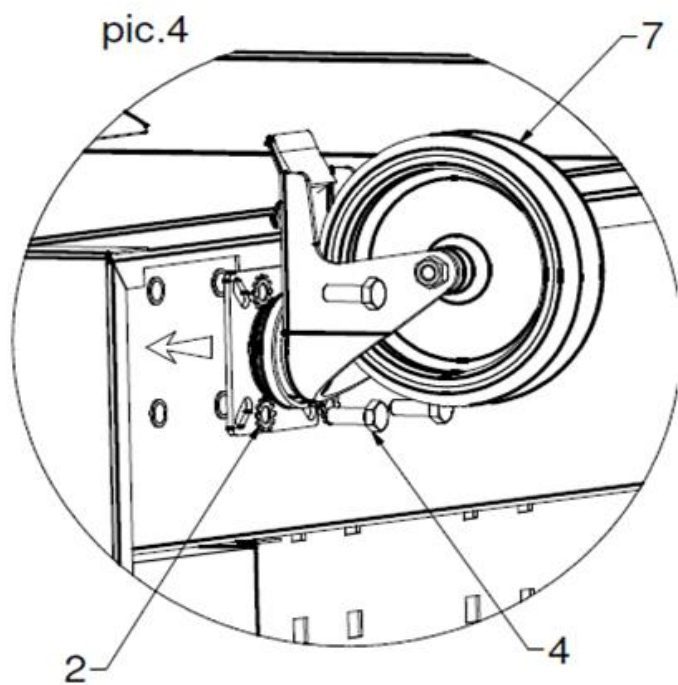
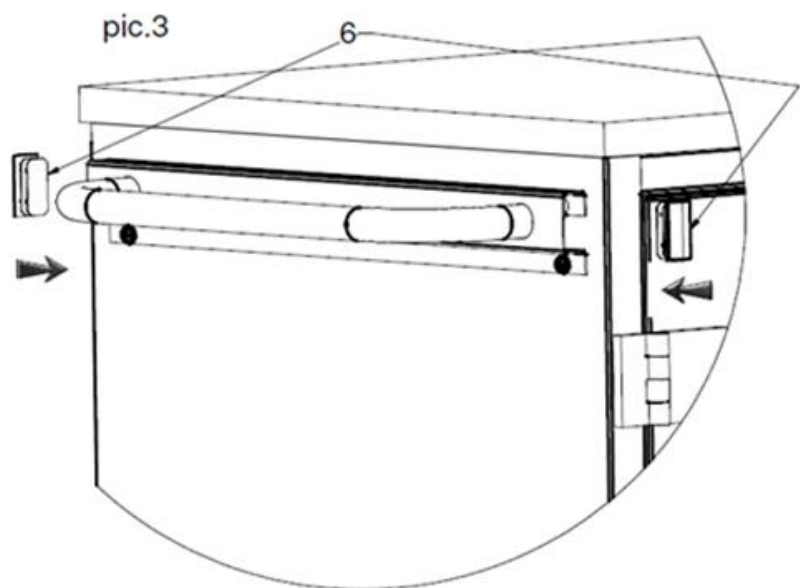
pic.1



- 4 x 16 x D6,3
- 2. 
- 4 x M6
- 3. 
- 16 x M6x16
- 4. 
- 8 x M6x20
- 5. 
- 4 x 
- 6. 
- 2 x 
- 2 x 

pic.2





pic.5

